

## Technical specifications

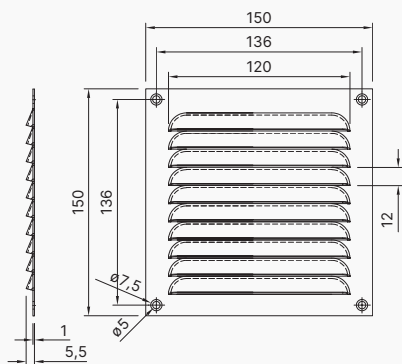
- **Material:** Aluminium
- **437 and as an option with 436(M):** Insect mesh stainless steel 304
- **Finish:** anodized or powdercoated

## Airflow characteristics

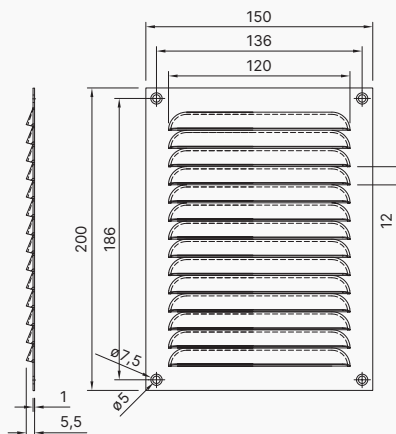
Type		Free area		Airflow at		
436	437	(cm <sup>2</sup> )	(%)	2Pa (m <sup>3</sup> /h)	10Pa (m <sup>3</sup> /h)	20Pa (m <sup>3</sup> /h)
150 × 150	155 × 155	56	25%	16,0	35,8	50,6
150 × 200	155 × 205	78	26%	21,9	49,0	69,3
200 × 100	205 × 105	43	22%	12,0	26,8	37,9
200 × 200	205 × 205	114	29%	22,1	49,4	69,6
200 × 250	205 × 255	147	29%	36,7	82,1	116,1
250 × 100	255 × 105	52	21%	18,5	41,4	58,5
250 × 250	255 × 255	191	31%	46,6	104,2	147,4
300 × 100	305 × 105	74	25%	20,2	45,2	63,9
300 × 300	305 × 305	289	32%	73,5	164,4	232,4
400 × 100	405 × 105	111	28%	28,8	64,4	91,1
400 × 400	405 × 405	270	20%	86,4	193,2	273,2
500 × 500	505 × 505	393	24%	125,9	281,5	398,1

Technical drawings 436

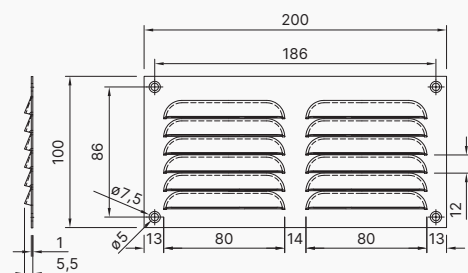
150 × 150 mm



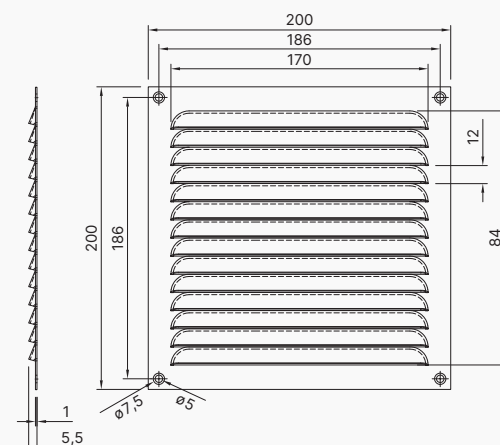
150 × 200 mm



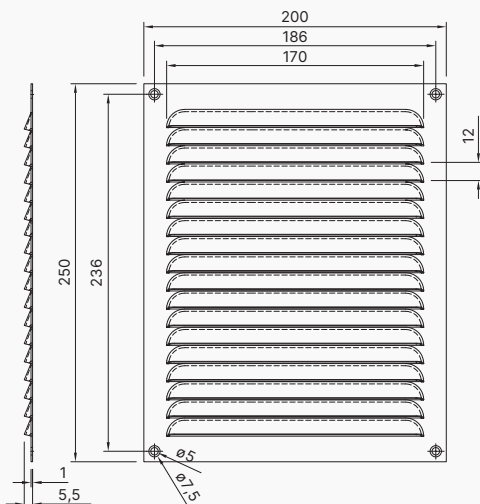
200 × 100 mm



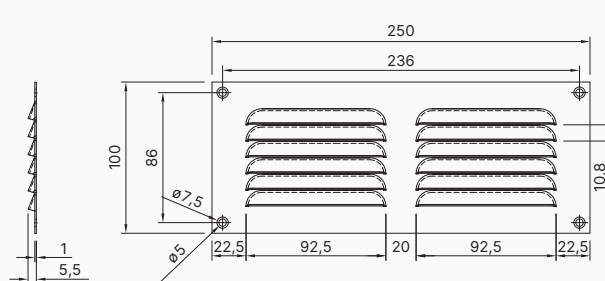
200 × 200 mm



200 × 250 mm

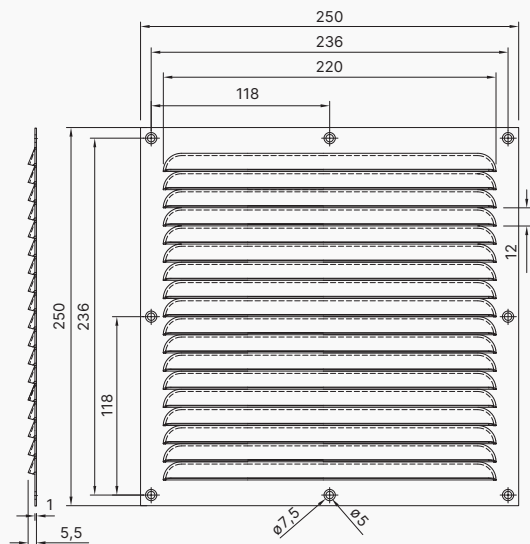


250 × 100 mm

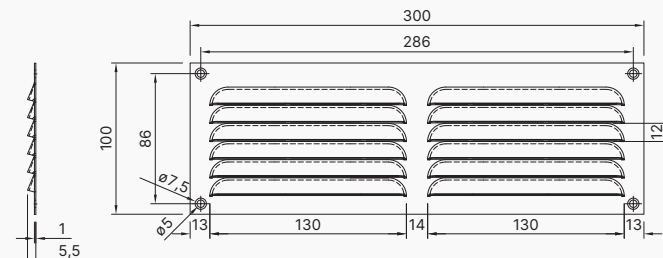


Technical drawings 436

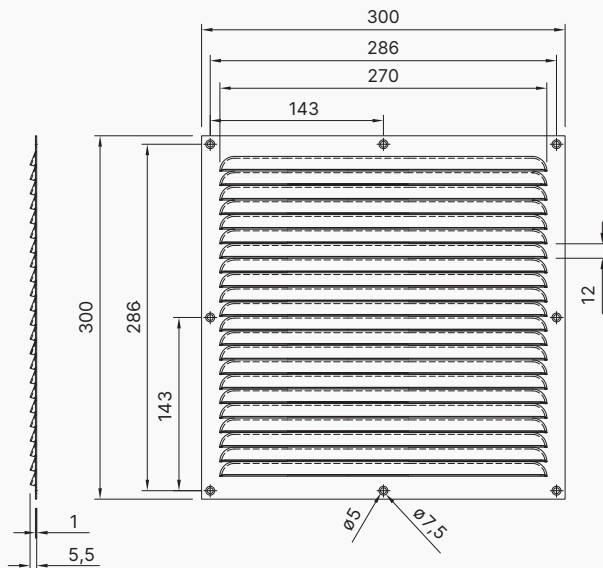
250 × 250 mm



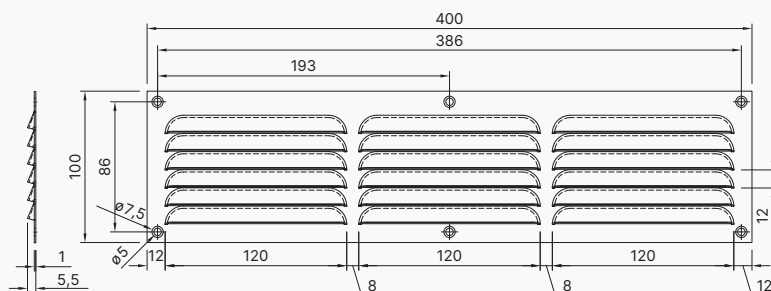
300 × 100 mm



300 × 300 mm



400 × 100 mm





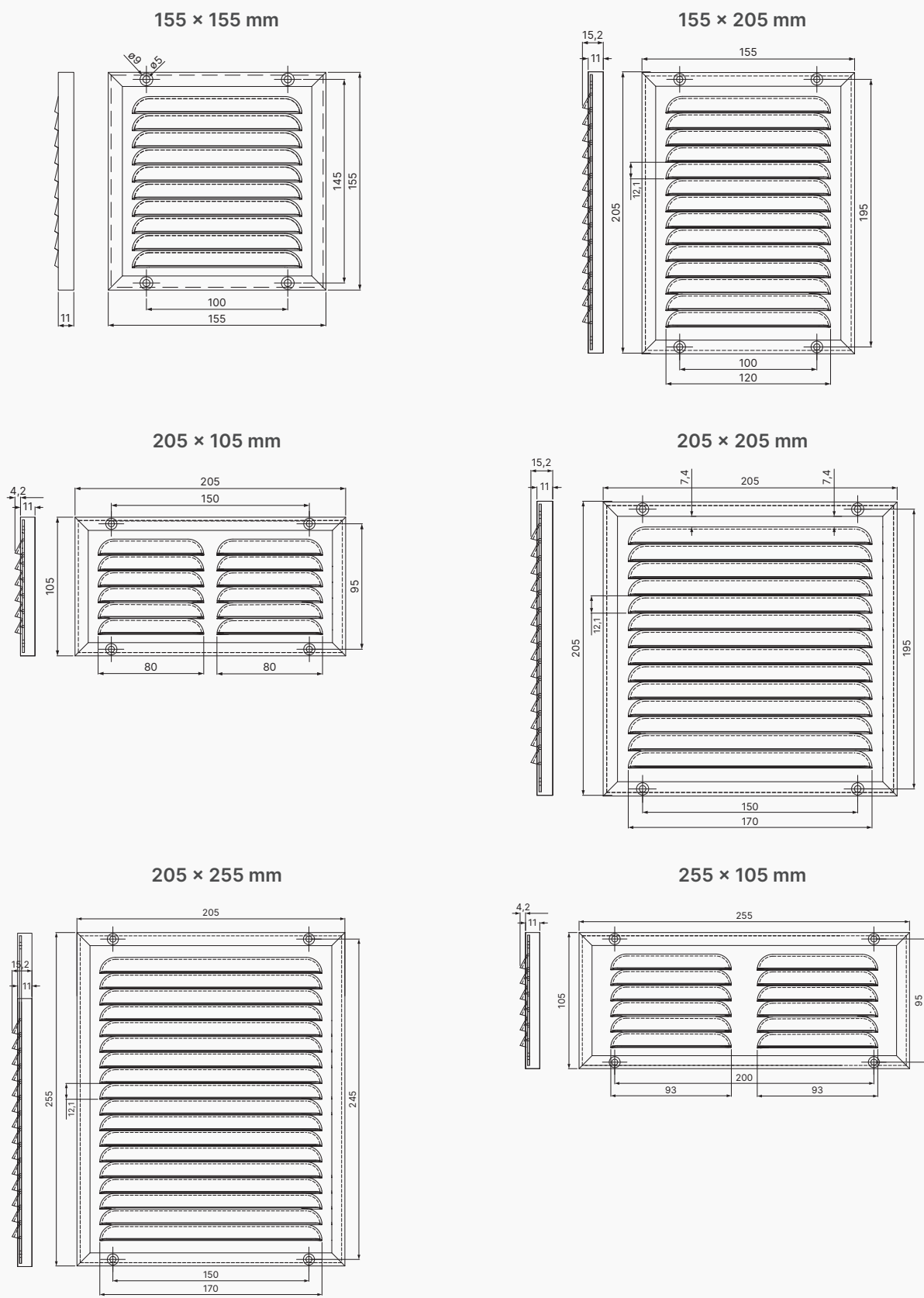
# Technical data sheet

## Renson louveres

### Type 436(M) - 437



#### Technical drawings 437

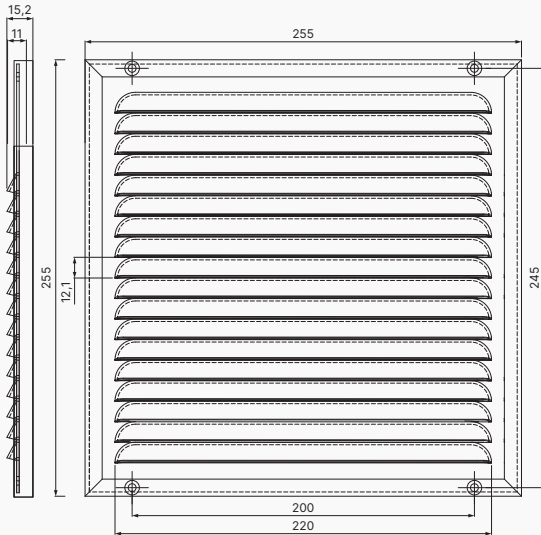


Technical data sheet  
**Renson louveres**  
**Type 436(M) - 437**

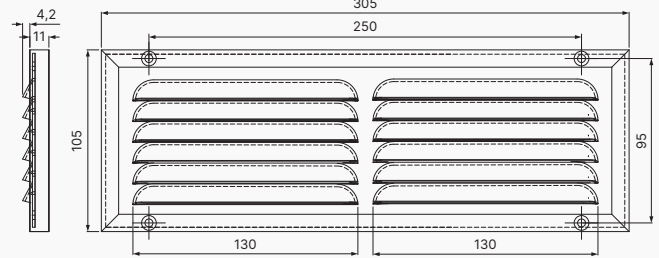


Technical drawings 437

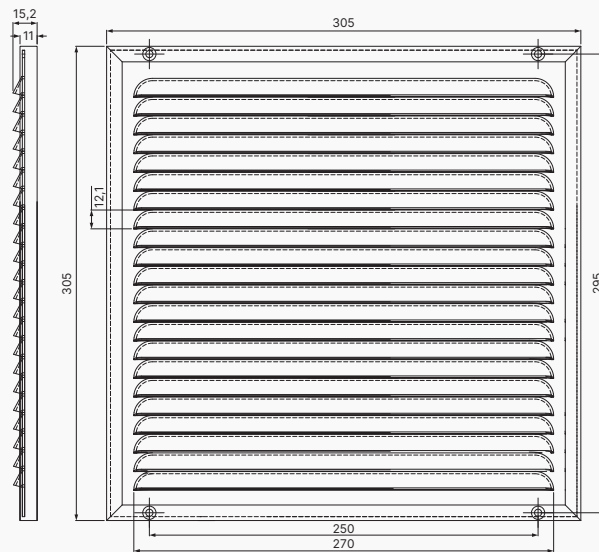
255 × 255 mm



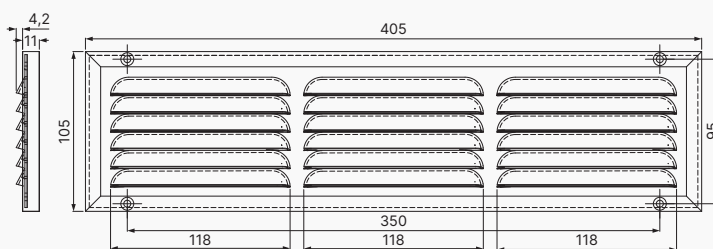
305 × 105 mm



305 × 305 mm

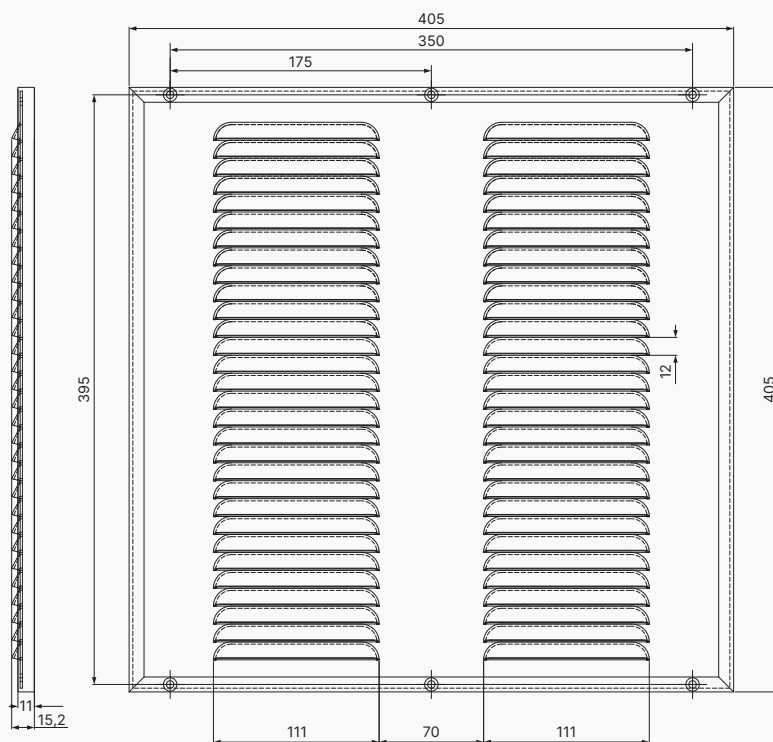


405 × 105 mm



Technical drawings 437

405 × 405 mm



505 × 505 mm

