

LAPURE®

PRODUCT INFORMATION

US - 01/26

 **RENSON®**

TABLE OF CONTENTS

Description	3
Benefits	4
Design	4
Quality	5
Customisation	6
Comfort	6
Technical details	7
Standard configuration	8
Lapure weight	9
Lapure snow load	9
Accessoires	10
Fabrics	11
Certificates & testing	12
Configuration	13
Type	13
Inclination of slope	14
Columns	15
Mounting bases	16
Water drainage	17
Other tools	18



DESCRIPTION

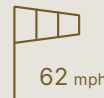


Patio cover with a wind and water-resistant Fixscreen sun protection roof and panoramic view. Can be closed off with surface-mounted side elements.

- Water drainage guarantee for maximum dimensions of 19' 8 7/32" wide by 16' 4 27/32" deep and a minimum slope of 8°
- No sagging in the rain due to Fixscreen technology and innovative bottom bar system (patent pending)
- Highly windproof
- Minimalist design
- Panoramic view with the roof open
- Can be controlled using Renson Connect App or RTS



One roof section



* Tests have shown that the structure can withstand even higher rainfall rates of up to 2.65 gal/sqft, but it may be possible the water cannot be drained quickly enough.

BENEFITS

Design



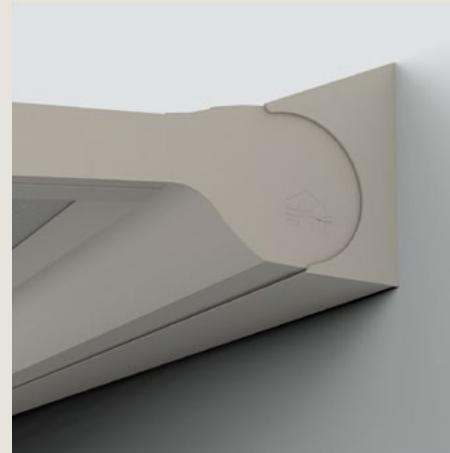
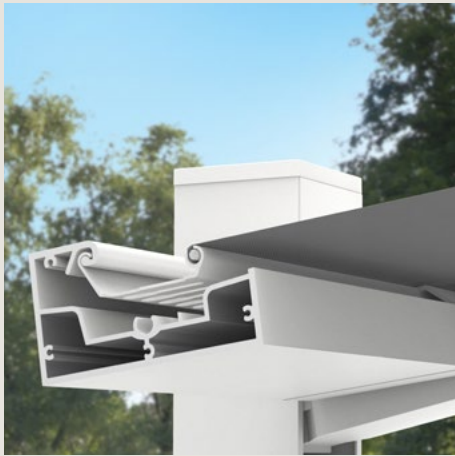
1 WATERPROOF, TRANSLUCENT FABRIC

2 UNINTERRUPTED PANORAMIC VIEW

No visible front bar when fabric is retracted

3 OPTIMAL FABRIC TENSION DUE TO FIXSCREEN TECHNOLOGY

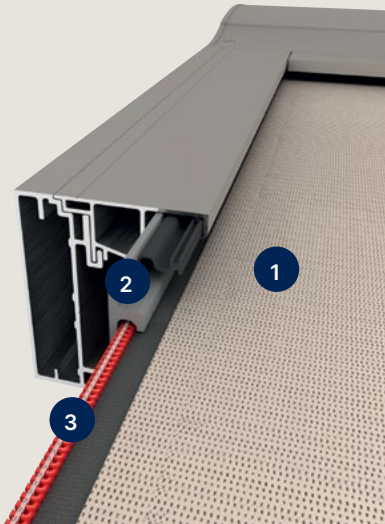
4 INVISIBLE WATER DRAINAGE VIA THE INNOVATIVE FRONT BAR (PATENT-PENDING), THEN SIDeways INTO THE COLUMN



5 OPTIONAL BOTTOM COVER

Neatly hiding the wall brackets, motor and wiring

Quality



1 DURABLE INNER RAIL WITH SMOOTH TECHNOLOGY

Smooth, durable and silent zip operation

2 SYMMETRICAL ZIP ENSURES HIGH WIND RESISTANCE

High wind guarantee up to 62mph

3 IMPROVED WATER DRAINAGE

New ingenious bottom bar design (patent-pending), additional funnels and integrated tubes guarantee perfect water drainage

4 MAXIMUM DIMENSIONS WITH MINIMUM SLOPE AND MAXIMAL WATER DRAIN CAPACITY

An 8° slope is possible for a 19' 8 7/32" by 16' 4 27/32" and capable of handling a water volume of 1.37 gal/sqft (class 2 acc. NBN EN 13561)



Customisation

1 WIDE RANGE OF POSSIBLE OPTIONS

All possible RAL colours, choice of 11 water-resistant fabrics

2 ACCESSORIES

For more information about the possible accessories, see the 'Accessories' section and/or the product information for the various accessories (Lapure Fixscreen)

Comfort

1 QUICK INSTALLATION

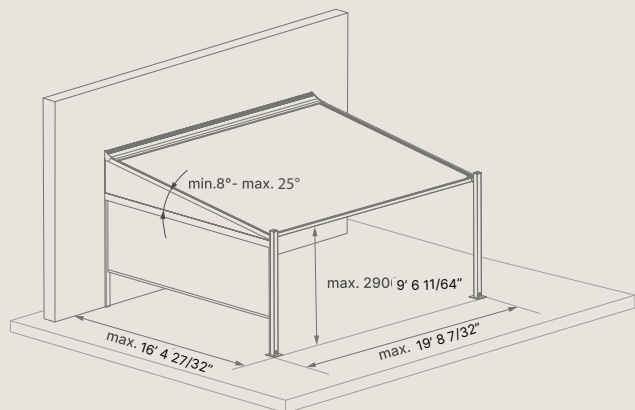
Thanks to maximum pre-assembly

2 LAPURE LED

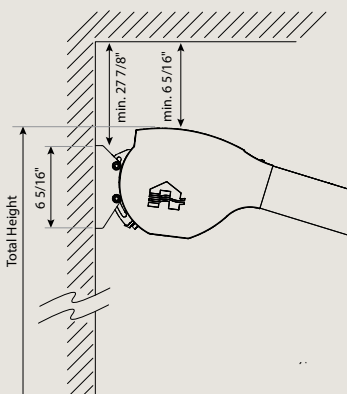
Visible cross beam with dimmable LED



TECHNICAL DETAILS



Lapure – minimum height relative to the roof overhang



Dimensions	
Width per roof section	Min. 4' 1 11/16" - 13' 1 31/64" (without cross-beam) 13' 1 33/64" - 19' 8 7/32" (with cross-beam)
Projection	Min. 4' 1 11/16" - max. 16' 4 27/32"
Roof overhang with shifted columns	Max. 3' 3 3/8"
Passage height	Min. 1' 7 11/16" - max. 9' 6 11/64"
Inclination of slope	min. 7° up to 16' 4 27/32", min. 8° > 16' 4 27/32" max. 25°
Total height	Depends on inclination of slope and projection
Minimum height required when installed under a roof overhang	Total height + 6 5/16"
Customisation	Width and projection: made to measure
Operating methods	
Renson® Connect App	✓
Somfy io	-
Somfy RTS	✓
Home automation ready	✓

Electrical screen roof drive

Parameters	
Supply voltage	230 Volt AC
Current	1.5 Ampère
Power	320 W
Protection rating	IP 44
Maximum running time with continuous use	Approx. 3 to 4 minutes

* Up to 0° possible for sun protection only, provided a rain sensor is used (Lapure Shade). The Ondeis rain sensor does not have a Somfy signal and is therefore always combined with the Eolis wind sensor.



Standard configuration

Structure

- Structure to be built against a supporting wall
- Standard mounting bases (visible or invisible)
- Custom width, projection, passage height and inclination of slope
- Motorisation (Somfy RTS)
- Water-resistant fabric roof (SWK top or W96)

Finish

- Seaside Quality A
- Integrated water drainage (via side guiding channels, bottom bar, funnels and columns)
- Adjustable installation and drainage holes.

Lapure weight

Weight [in lbs] of a single system with a passage height of 9' 2 15/64" (excl. packaging).

Width Hor. projection	Width																		
	59	68	78	88	98	108	118	127	137	147	157	167	177	187	197	207	217	227	237
59	203	214	228	241	252	265	278	289	303	314	327	352	365	378	391	405	418	431	444
78	210	223	236	250	261	274	287	298	311	325	336	360	373	387	400	413	426	440	453
98	219	232	245	258	269	283	296	309	320	333	347	371	384	397	411	424	438	451	465
118	228	241	254	267	280	292	305	318	331	344	355	352	394	408	421	435	448	462	476
137	239	250	263	276	289	303	316	327	340	353	366	360	404	418	431	445	458	472	485
157	247	261	272	285	298	311	325	338	351	364	377	371	415	429	443	457	470	484	498
177	256	269	283	296	309	322	336	349	362	373	386	352	425	439	453	467	481	494	508
196	265	278	292	305	318	331	344	358	371	384	397	360	436	450	464	478	492	506	520

Lapure snow load

The Lapure Fixscreen roof is rain resistant, but not snow resistant. The roof must be opened when it is snowing.

ACCESSOIRES



Comfort pack	Lapure	Back order
Fixscreen + Lineo Led	-	-
Sideways infills		
Integrated Fixscreen	-	-
Algarve Fixscreen	-	-
Lapure Fixscreen	✓	-
Triangle	✓	-
Loggia sliding panels	-	-
Loggiascreen Canvas sliding door	✓	-
Glass sliding panels	-	-
Linus wall	-	-
Linarte wall	-	-
Outdoor curtains	-	-
Comfort		
Lighting		
Lineo Led	-	-
UpDown Led	-	-
Colomno Led	-	-
Lapure Led	✓	-
Comfort and design		
Beam Heat & Sound	-	-
Lineo Luce	-	-
Lineo Fix	-	-
Lineo Heat	-	-
Waterproof wall mounting	-	-
Protecto protective profile	-	-
Automation		
Lapure bottom cover	✓	-
Lapure top cover	✓	-
Wind sensor	✓	-
Rain sensor	✓	-
Sun sensor	✓	-

Styling		Back order
Classic Line	✓	-
Wooddesign roof blades	-	-
Columns		
Extra column	✓	-
Shifted column*	✓	-
Adjustable wall column	-	-

* Water drainage via the shifted column is not possible when the fabric is fully rolled out (see p. 17)

Lower cover

Optional cover to neatly conceal the wall brackets, motor and cabling.



Upper cover

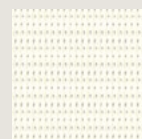
Cover to protect the screen box. Can be omitted if the screen box is installed under a canopy or overhang.



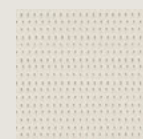
Fabrics(roof)

Water-resistant fabrics (Lapure):

SWK TOP WATERPROOF



M005 White



M006 Pearl



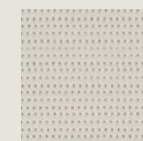
M652 Silver



M654 Grey

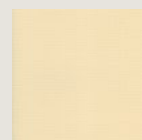


M712 Beige

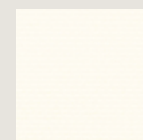


M939 Elephant

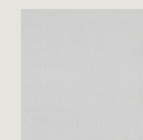
SOLTIS PROOF W96



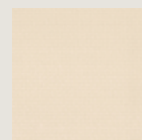
W96-1103



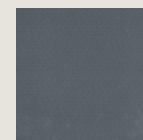
W96-8102



W96-2171



W96-8861



W96-2047

CERTIFICATES & TESTING

CE – DoP documents

- CE / UKCA / DoC / DoP / ETA

Certificates

- REACH / seaside/coastal powder coating guarantee
- RoHS / AluEco
- VMRG sun protection

Declarations

- Declaration of material codes
- Declaration of powder coating
- Declaration of anodisation layer thickness
- Declaration of glass properties
- Declaration of fire resistance / reaction
- Declaration of asbestos
- Declaration of UV resistance / gtot + others

Test reports – calculations

- Environmental statement (recycled aluminium)
- Anchoring requirements

Roof wind guarantee with Rooffix closed	up to 62mph
Fixscreen wind guarantee when closed	up to 37mph
Max. wind speed for roof or Fixscreen operation	up to 31mph
Water drainage flow	1.37 gal/sqft
Load-bearing capacity	N/A

* Classe 2 according to DIN EN 13561

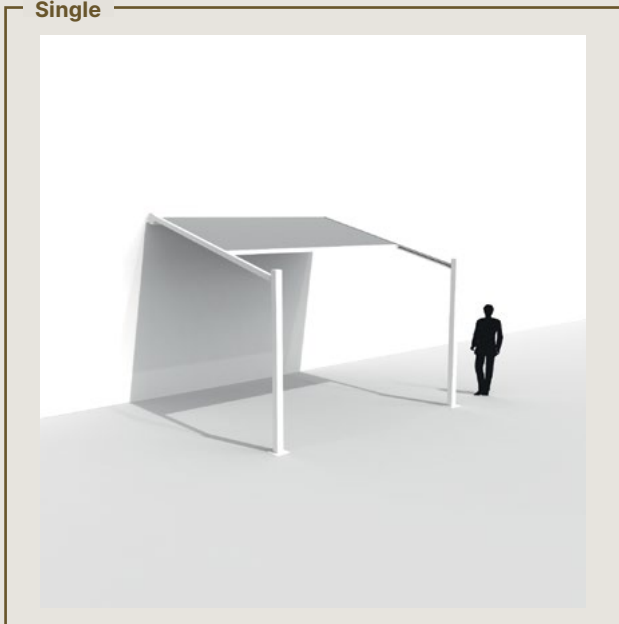
Tests have shown that the structure can withstand even higher rainfall rates of up to 2.65 gal/sqft, but it may be possible the water cannot be drained quickly enough.



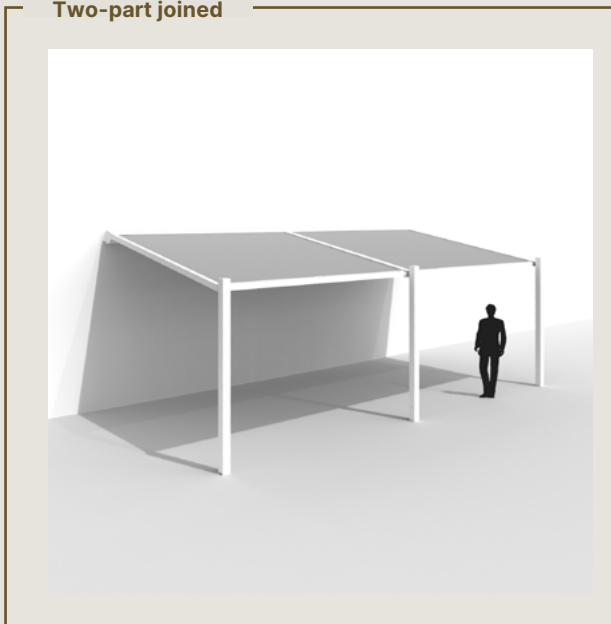
CONFIGURATION

Type

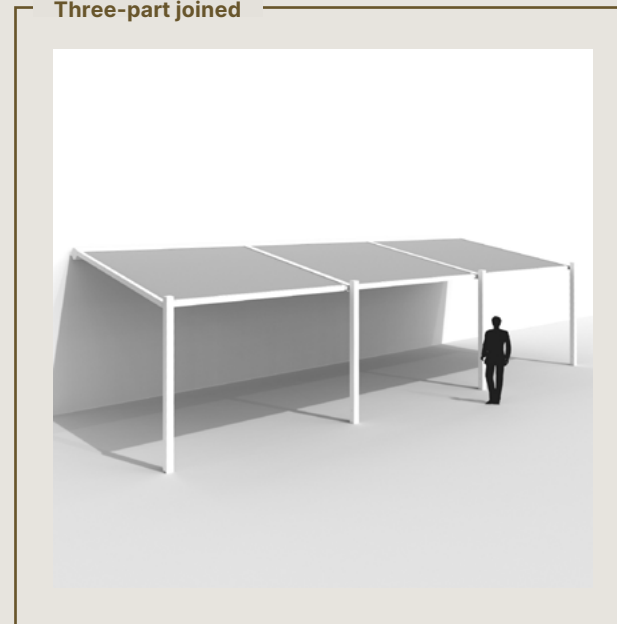
Single



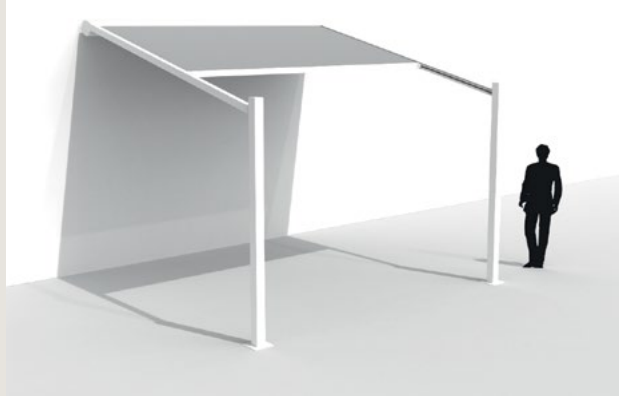
Two-part joined



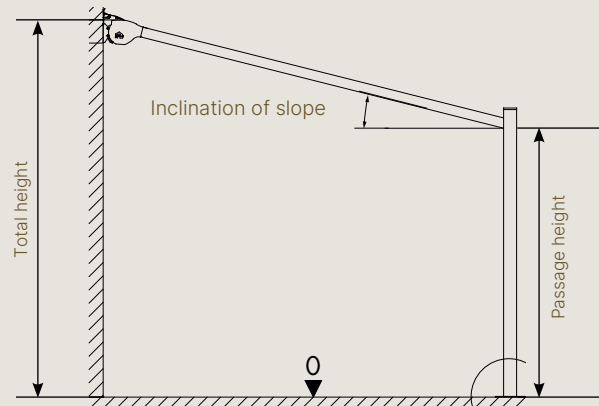
Three-part joined



Inclination of slope



Lapure		
Width dimensions per roof section	Minimum	4' 11 1/16"
	Maximum without cross-beam	13' 1 31/64"
	Maximum with cross-beam	19' 8 7/32"
Projection dimensions	Minimum	4' 11 1/16"
	Maximum	16' 4 27/32"
Roof overhang (with shifted columns)	Maximum	3' 3 3/8"
Passage height dimensions	Minimum	1' 7 11/16"
	Maximum	9' 6 11/64"
Total height without wall profile	Depends on inclination of slope and projection	
Total height including wall profile	Total height + 3 25/64"	
Height required when installed under a roof overhang with access to the screen head box	Total height + 7 31/64"	
Suspension bracket height	Total height - 7 51/64"	



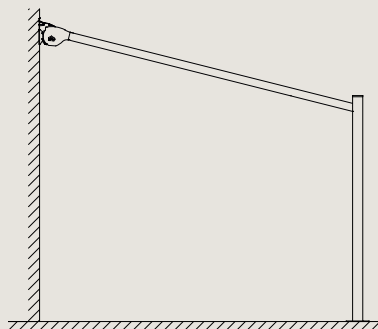
Minimum slope angle for guaranteed water drainage:

- 7° for widths $\leq 16' 4 \frac{27}{32}"$
- 8° voor breedtes $> 16' 4 \frac{27}{32}"$

Columns

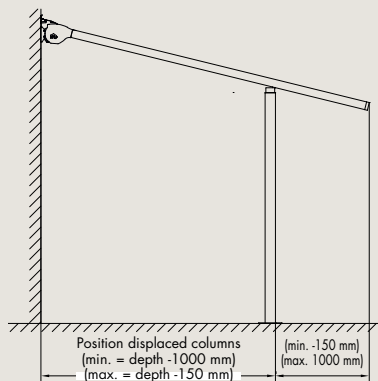
End column

A column is provided for each corner as standard.



Shifted column

A column can be shifted up to a maximum of 3' 3 3/8" from the projection. This guarantees the stability of the construction at all times.



A shifted column in Lapure must be entered by entering the required distance from the wall connection.

Minimum shifted column position = Projection - 3' 3 3/8"

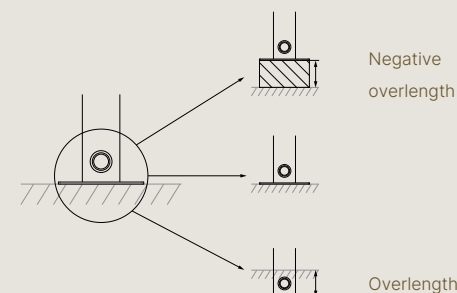
Maximum shifted column position = Projection - 5 29/32"

Overlength

Columns that are longer (positive overlength) or shorter (negative overlength) than the passage height entered can also be ordered.

Opting for a positive overlength of the column can be useful to keep a roof perfectly level when your patio slopes downward, for example.

Alternatively, if one of the columns is to be installed on a small wall, for example, it can be shortened (negative overlength).

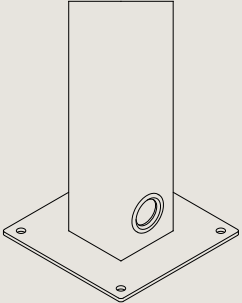
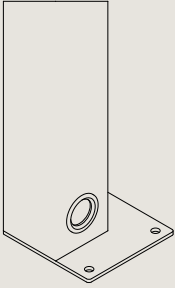



Positive overlength is possible up to the maximum passage height (9' 6 11/64") plus 1' 7 11/16" (11' 1 55/64").

Negative overlength is possible up to the minimum passage height (1' 7 11/16").

Mounting bases

The choice of reinforced or non-reinforced mounting bases will be made automatically based on the strength requirements and/or side infill selection. You can select a finish for your mounting bases from the possible options below.

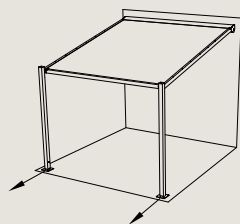
			
Type	Visible mounting base		Invisible mounting base
Application	Not against a structure		All applications
Non-reinforced mounting base	Available at standard price		
Reinforced mounting base	-		

Water drainage



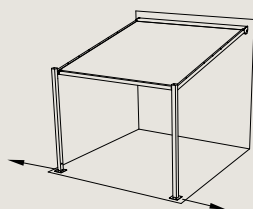
End columns

Water entering the guiding channels via the bottom bar is drained via the columns. Water drainage at the bottom of the columns always runs away from the cover.



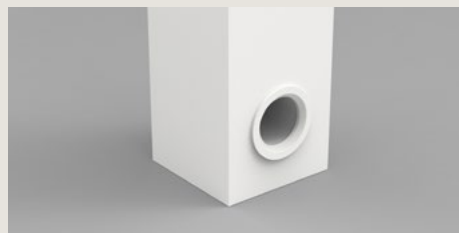
Front

Water drainage towards the front (always 'away from the patio').

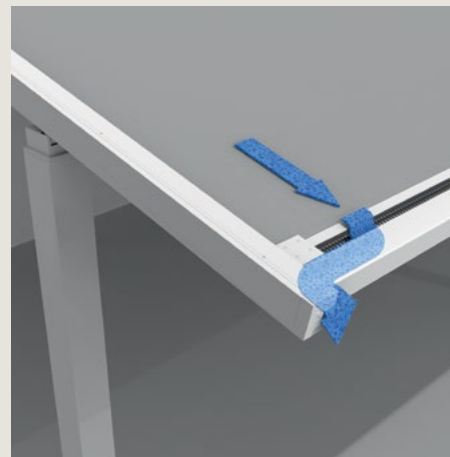


Side

Water drainage towards the side (always 'away from the patio').

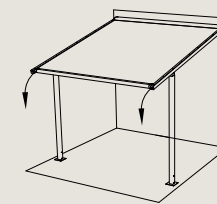


Integrated water drainage pipe



Shifted columns

Water entering the side channels via the bottom bar is drained at the end of the side guiding channels.



Front

Water drainage towards the front (always 'away from the patio').



Funnels

To collect overflow water (only provided at end column)

OTHER TOOLS

Want to find out more? Visit the Professional Portal on our website (renson.net) to access the following tools.

- Technical drawings
- Training documents
- Installation manual
- User manual
- [Digital photo book & social media](#)
- ...

